

Under Counter Type Dishwasher - UD-1

Recommended Application

- Restaurants, cafes, bars and small canteens. Recommended capacity up to 300 covers per day

High Performance

- 90/120/180-second cycle options for different soiled items
- High capacity up to 40 racks/hour
- Improved hygiene with triple-filtering system; large tank with double layer strainer keeps water clean and reduces changing time
- Thermal control precision ensures that rinse water temperature is always optimized for perfect hygiene
- Double-skin door ensures low noise level and less heat emission

Simple To Use

- User-friendly electronic control panel displays temperature and working status
- Drain pump included to optimize internal space, and up to 50cm in height
- All internal components (wash and rinse arms) can be easily removed for cleaning, and can be assembled without the use of tools to facilitate daily cleaning
- Deep drawn pressed tank with rounded corners for ease of cleaning
- Components are accessible from the front for easy service and maintenance



Undercounter Dishwasher

Reliability & Safety

- Washing can be stopped when door is open to avoid risks of injuries
- Heater designed with advanced process for high reliability
- CB certified for Safety and GB14934 certified for Hygiene
- IPX4 water protection
- Safety design to prevent dry heating failure at low water level



Easy frontal access for key components



Heater designed with advanced process for high reliability



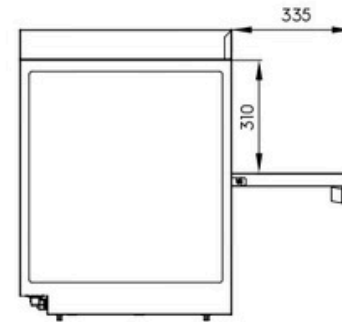
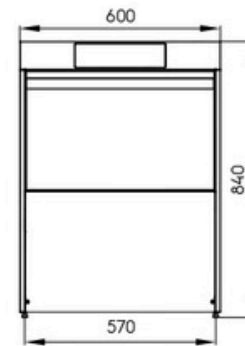
Easily removed for cleaning



Deep drawn tank built for reliability and hygiene

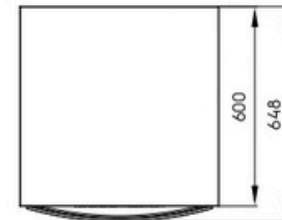
Main Technical Data

Model	UD-1
Name	Undercounter Dishwasher
Max capacity (rack/hour)	40
Booster heater (kW)	3/4.5
Tank heater (kW)	2
Wash pump (kW)	0.55
Booster water (kW)	/
Basket dimension (mm)	500x500
Clearance height (mm)	310
Wash temperature (°C)	55-65°C
Rinse temperature (°C)	80-90°C
Booster water consumption (l/rack)	2.8
Net weight (Kg)	55
External dimension (WxDxH mm)	600x600x840



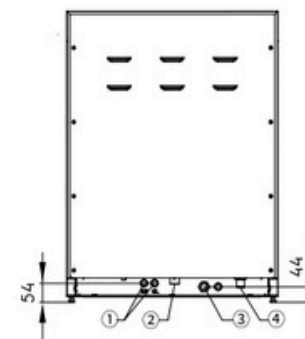
Electrical Requirements

Power Requirements	220V/50Hz/1N
Rated current of circuit breaker (A)	25
Total amps required (A)	17
Total connected load (kW)	3.55



Plumbing Requirements

Incoming Water pressure (psi)	30-50
Diameter of water inlet hose	G3/4"
Diameter of drain pipe	22mm (OD)



- ① Dispenser Connection
- ② Water Inlet Connection
- ③ Drain Outlet Connection
- ④ Cable Connection